

7" Round LED Motorcycle Headlights - Model 8790 Adaptive 2

PRODUCT INFORMATION

Description	12V DOT/ECE LED High & Low Beam Adaptive Headlight with Black Inner Bezel and Mounting Ring
Height	177.20 mm / 6.98 in
Width	177.20 mm / 6.98 in
Depth	93.68 mm / 3.69 in
Shape	Round
Outer Lens Material	Polycarbonate
Outer Lens Color	Clear
Housing Material	Aluminum
Housing Color	Grey
Bezel Color	Black
Retrofits	Bucket 7" Round Headlights (PAR56)
Minimum Operating Temperature	-40 °C / -40 °F
Maximum Operating Temperature	65 °C / 149 °F
Connector or Wiring	H4
Mating Connector	H4 AMP#172615-2
Product Weight	4.10 lbs / 1.86 kgs
Shipping Weight	4.10 lbs / 1.86 kgs

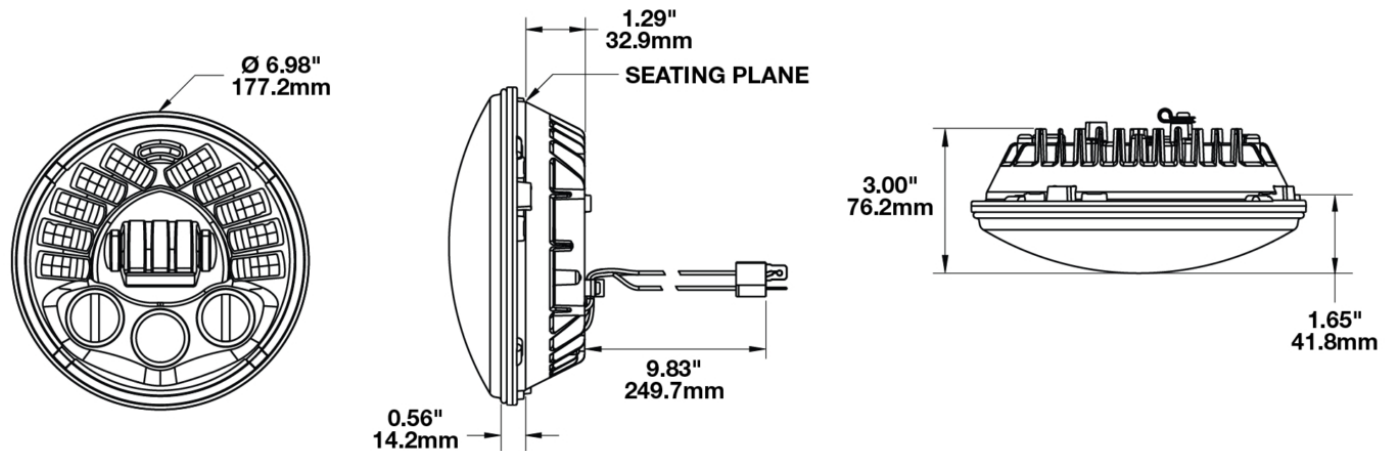


Print date: 2024-08-11

© 2024 J.W. Speaker Corporation • Germantown, WI U.S.A.
www.jwspeaker.com • speaker@jwspeaker.com • 262.251.6660

7" Round LED Motorcycle Headlights - Model 8790 Adaptive 2

PRODUCT DIMENSIONS



ELECTRICAL SPECIFICATIONS

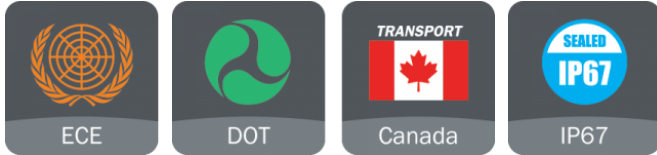
Input Voltage	12V DC
Operating Voltage	9-16V DC
Transient Spike Protection	150V Peak @ 1 HZ-100 Pulses
Black Wire	Ground
White Wire	High Beam
Yellow Wire	Low Beam
Red Wire	Front Position
Current Draw	2.9A @ 13.5V DC (High Beam) 1.9A @ 13.5V DC (Low Beam) 0.092A @ 13.5V DC (Front Position) 3.5A @ 13.5V DC (Low Beam at Full Lean) 4.5A @ 13.5V DC (High Beam at Full Lean)

Print date: 2024-08-11

© 2024 J.W. Speaker Corporation • Germantown, WI U.S.A.
www.jwspeaker.com • speaker@jwspeaker.com • 262.251.6660

7" Round LED Motorcycle Headlights - Model 8790 Adaptive 2

REGULATORY STANDARDS COMPLIANCE



ECE Reg 113
 FMVSS 108 s10.1 (Table XX)
 Tested to ECE Reg. 10
 (Radiated Emissions only)

ECE Reg 50
 IEC IP67

PHOTOMETRIC SPECIFICATIONS

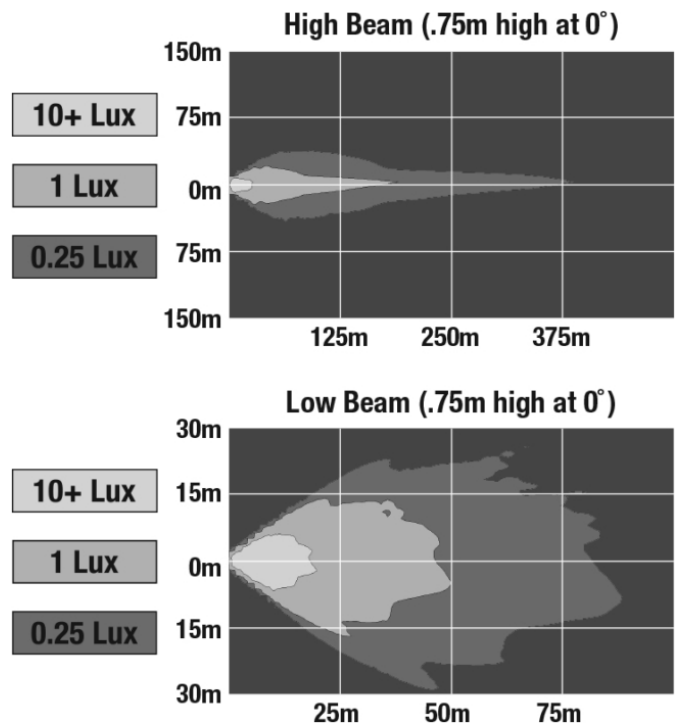
Raw Lumen Output 2,250 (High Beam); 2,025 (Low Beam)

Effective Lumen Output 1,150 (High Beam); 850 (Low Beam)

Candela Output 48,000 (High Beam); 11,500 (Low Beam)

Nominal LED Color Temperature 5000 K

Beam Pattern(s) Forward Lighting - High Beam (DOT/ECE)
 Forward Lighting - Low Beam (DOT/ECE)
 Signalization - Front Position



Print date: 2024-08-11

© 2024 J.W. Speaker Corporation • Germantown, WI U.S.A.
 www.jwspeaker.com • speaker@jwspeaker.com • 262.251.6660

7" Round LED Motorcycle Headlights - Model 8790 Adaptive 2

APPLICATIONS



ADDITIONAL INFORMATION

Improvements over the original Adaptive Series

The NEW Adaptive 2 Series headlights have been improved to feature Adaptive technology when using the high beam, in addition to the low beam. Providing ditch-to-ditch lighting to eliminate dark corners on sharp turns and a punch of light 1,500 feet down the road to give you a safer and more confident ride.

Red Wire

Note about Front Position: The front position light is a requirement outside the United States. **If your bike is operated in the United States you do NOT need to connect this wire (red)** unless your bike is equipped with a front position light.

PRODUCT WARNINGS

For California residents:

⚠ **WARNING:** Cancer and reproductive harm - www.P65Warnings.ca.gov.

⚠ **AVERTISSEMENT:** Cancer et effet nocif sur la reproduction - www.P65Warnings.ca.gov.

ACCESSORIES



Part Number

3156351

Mounting Ring Kit for
7" Round (PAR56)
Headlights



Part Number

8200411

Wire Harness for 7"
Motorcycle Headlights

Print date: 2024-08-11

© 2024 J.W. Speaker Corporation • Germantown, WI U.S.A.
www.jwspeaker.com • speaker@jwspeaker.com • 262.251.6660

7" Round LED Motorcycle Headlights - Model 8790 Adaptive 2

RELATED PRODUCTS



Part Number
0555011

12V DOT/ECE LED
High & Low Beam
Adaptive Headlight
with Black Inner Bezel



Part Number
0555031

12V DOT/ECE LED
High & Low Beam
Adaptive Headlight
with Chrome Inner
Bezel



Part Number
0555061

12V DOT/ECE LED
High & Low Beam
Adaptive Headlight
with Chrome Inner
Bezel and Mounting
Ring